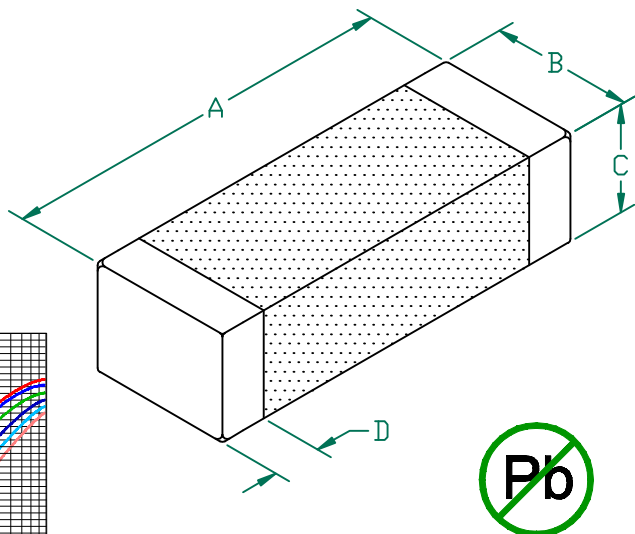


HI3312X101R-10

UNCONTROLLED DOCUMENT

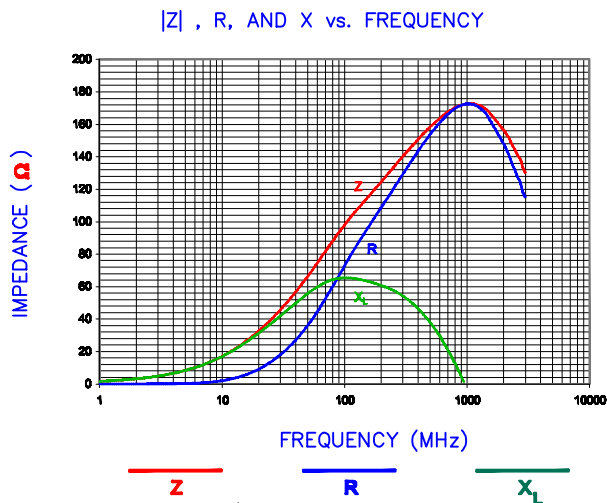
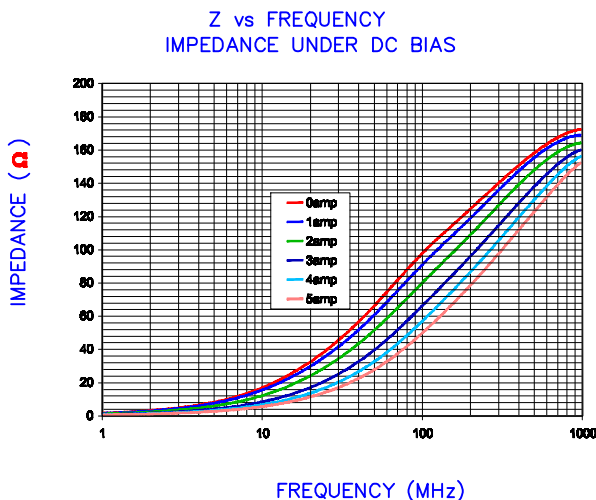
PHYSICAL DIMENSIONS:

A	8.50 [.335]	+ 0.20 [.008]
B	3.05 [.120]	+ 0.20 [.008]
C	2.28 [.090]	+ 0.20 [.008]
D	0.89 [.035]	+ 0.20 [.008]

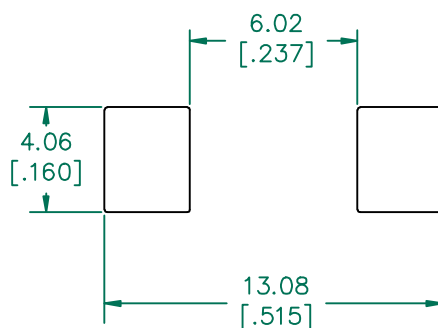


ELECTRICAL CHARACTERISTICS:			
Z @ 100MHz (Ω)	DCR (Ω)	Rated Current	
Nominal	100		
Minimum	75		
Maximum	125	0.004	10,000 mA

- NOTES: UNLESS OTHERWISE SPECIFIED
1. TAPED AND REELED per CURRENT EIA SPECIFICATIONS, 13" REELS, 2,500 PCS/REEL.
 2. TERMINATION FINISH IS 100% TIN.
 3. COMPONENTS SHOULD BE ADEQUATELY PREHEATED BEFORE SOLDERING.

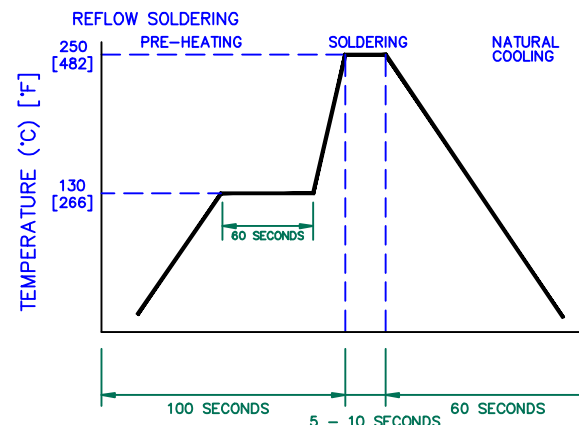


LAND PATTERNS FOR REFLOW SOLDERING



(For wave soldering, add 0.762 [.030] to this dimension.)

RECOMMENDED SOLDERING CONDITIONS



DIMENSIONS ARE IN mm [INCHES].				This print is the property of Laird Tech. and is loaned in confidence subject to return upon request and with the understanding that no copies shall be made without the written consent of Laird Tech. All rights to design or invention are reserved.		Laird TECHNOLOGIES	
D	UPDATE COMPANY LOGO	02/11/08	JRK	PROJECT/PART NUMBER:	REV	PART TYPE:	DRAWN BY:
C	CHANGE TOLS ON D DIMENSION	08/29/06	JRK	HI3312X101R-10	D	CO-FIRE	JRK
B	INCREASE "D" DIMENSION TO 0.35	03/20/06	JRK	DATE:	SCALE:	SHEET:	
A	ORIGINAL DRAFT	09/19/05	JRK	09/19/05	-	2 of 2	
REV	DESCRIPTION	DATE	INT	CAD #	TOOL #	HI3312X101R-10-C	